

Technical Manual

JBL MR902

SPECIFICATIONS



ACOUSTIC & ELECTRICAL SPECIFICATIONS:

- Nominal Impedance: 8 ohm
- Power Capacity: Continuous Pink Noise: 250W
Peak Pink Noise: 1000W
- Frequency Range: 50 Hz to 17 kHz (-10dB)
- Sensitivity: 100 dB SPL*
- Crossover Frequency: 2 kHz

SYSTEM COMPONENTS:

- Cabinet: CMR902
- Grille: (330605-001)
- Low Frequency Transducer: 300mm (12 in.) Cone Transducer 2022H (72778-01X)
- DC Resistance: 4.65 ohm $\pm 10\%$ Aluminum Wire

SYSTEM COMPONENTS: (cont'd)

- High Frequency Transducer: 25mm (1 in.) Pure Titanium Compression Driver 2418H
- DC Resistance: 3.2 ohm $\pm 8\%$ Aluminum Wire
- Crossover Network: (330599-001)

AURAL SWEEP TEST SPECIFICATIONS:

- A. System Aural Sweep Test: 7.0V Input, 20 Hz to 20 kHz
- B. L.F. Aural Sweep Test: 7.0V Input, 20 Hz to 1.2 kHz
- C. H.F. Aural Sweep Test: 2.83V Input, 550 Hz to 20 kHz

PHYSICAL SPECIFICATIONS:

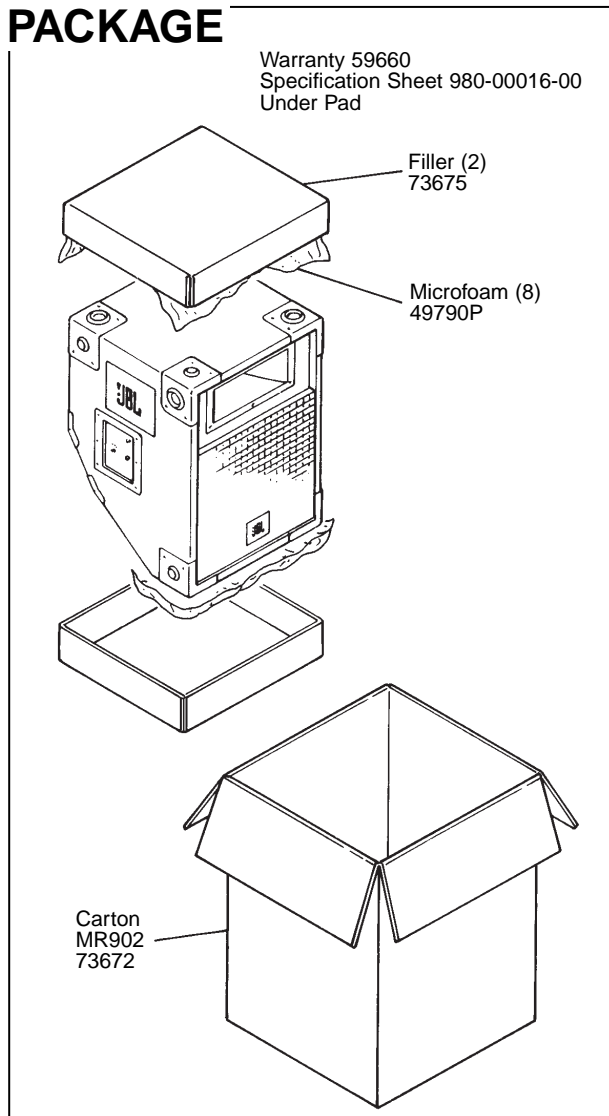
- Enclosure Dimensions: 590mm x 432mm x 406mm D (23.25 x 17.0 x 16.0 in. D)
- Shipping Weight: 59 lbs. (26.7 kg.)

WARRANTY INFORMATION:

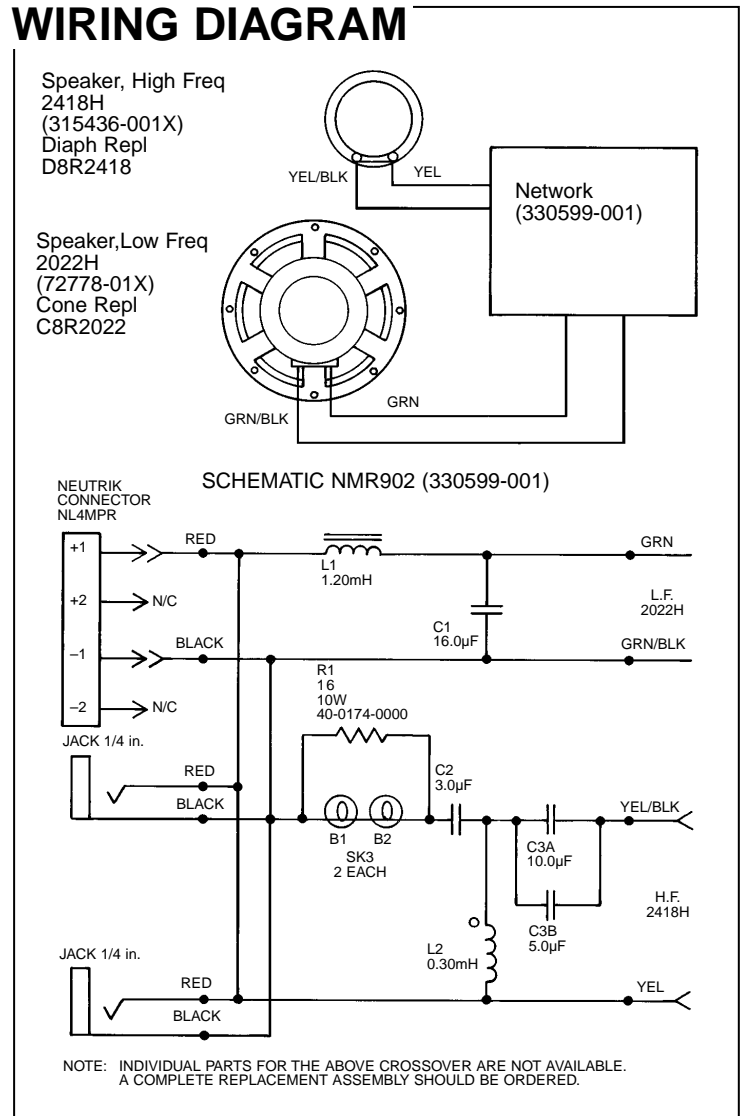
- Refer to Warranty Statement packed with each product.

*1 Watt (2.83 V RMS) @ 1 Meter

PACKAGE



WIRING DIAGRAM



JBL MR902 REV J

JBL MR902

COMPONENT EXPLODED VIEW

